

# ASSEMBLY AND INSTALLATION INSTRUCTIONS

W0243

**WARNING:** TO AVOID RISK OF ELECTRICAL SHOCK, BE SURE TO SHUT OFF POWER BEFORE INSTALLING OR SERVICING THIS FIXTURE.

**NOTES:** 1. Before installing, consult local electrical codes for wiring and grounding requirements.  
2. READ AND SAVE THESE INSTRUCTIONS.

## Hardware Package (included):

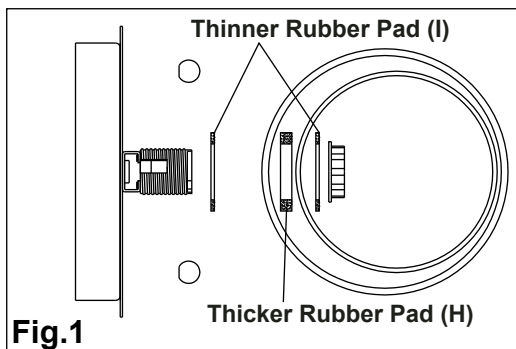
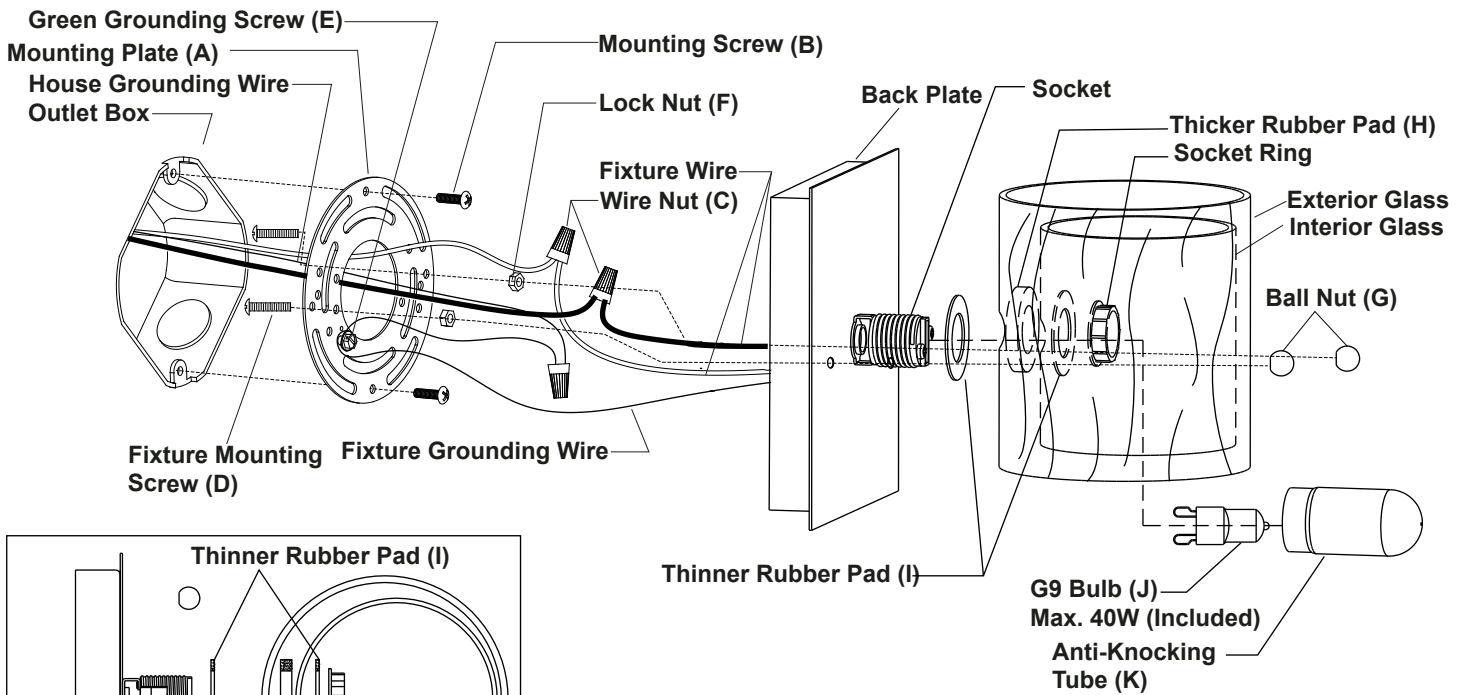
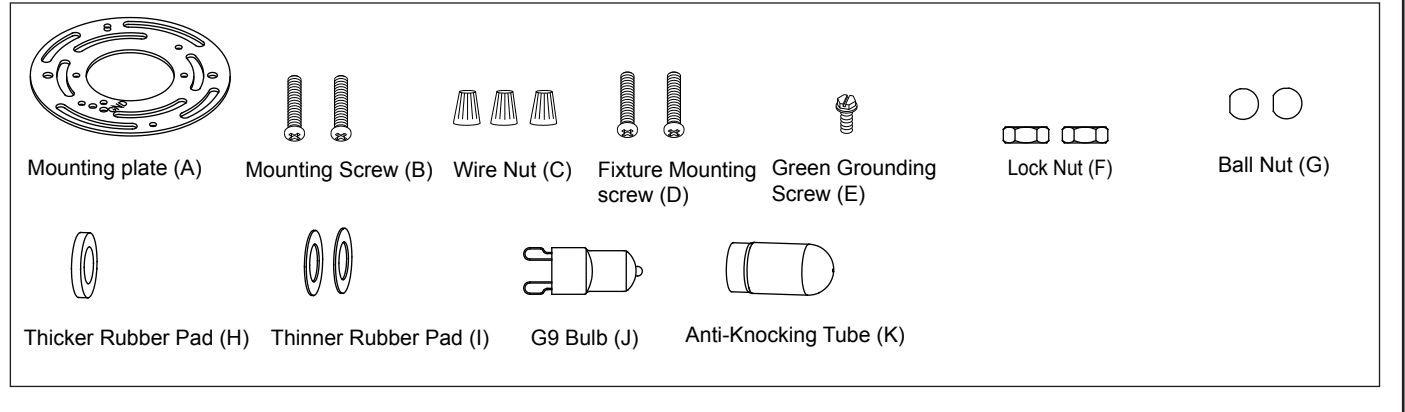


Fig.1

## Installation Steps

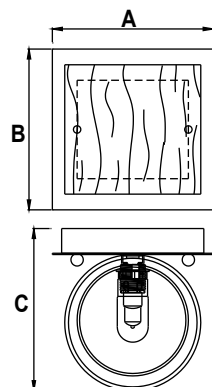
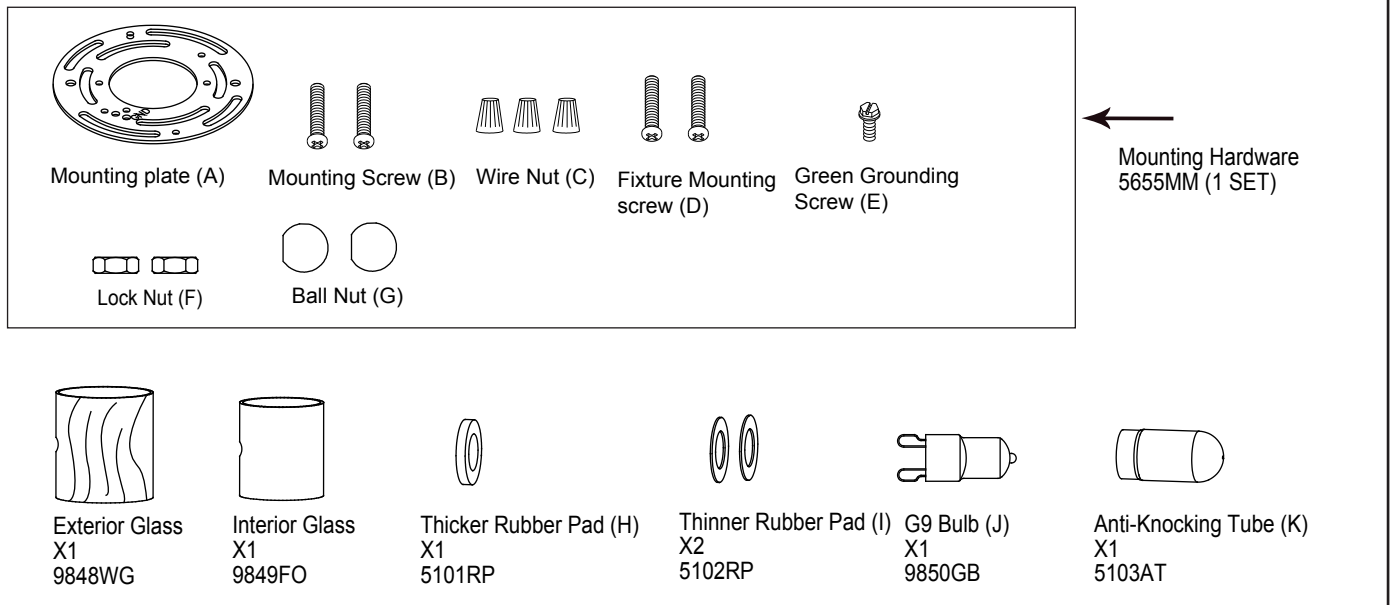
Turn off the power at fuse or circuit box

1. Thread two fixture mounting screws through the mounting plate, then secure them with two lock nuts.  
Note: Make sure that the fixture mounting screws are lined up horizontally, in order to ensure that the fixture will be level.
2. Attach the mounting plate to the outlet box by using two mounting screws.
3. Attach the thinner rubber pad onto the socket and place thicker rubber pad between interior glass and exterior glass and make sure the holes should be aligned. Then attach them onto the socket and tighten them with socket ring. (See Fig.1)
4. Pull out the source wires from the outlet box. Make wire connections using wire nuts as follows:
  - Connect the hot wire (usually black insulation) from the fixture to the black wire from the power source.
  - Connect the neutral wire (usually white insulation) from the fixture to the white wire from the power source.
  - Attach the fixture grounding wire (usually green insulation or bare wire) to the mounting plate with the green grounding screw, and then connect it to the house grounding wire with the wire nut.
 Carefully put the wires back into the outlet box.
5. Attach the back plate to the mounting plate by inserting the fixture mounting screw, then secure it with the two ball nuts.
6. Install a G9 bulb (included). Check relamping label at socket area or packaging for maximum allowed wattage.
7. Secure the anti-knocking tube onto the socket.

Turn on the power at fuse or circuit box

The following parts are available for re-order if damaged or missing.

### Spare Parts List:



A: 5-1/4"  
B: 5-1/4"  
C: 5-1/4"