

Olivier Ceiling Fan



OV70

Installation Instructions
Instrucciones de instalación
Instructions d'installation

CRAFTMADE
air • light • sound

Read and Save These Safety Precautions

1. Turn off electricity at main switch before wiring or servicing fan in order to avoid possible electrical shock.
2. All wiring must be in accordance with the National Electric Code (ANSI/NFPA70-1999) and local electrical codes. Electrical installation should be performed by a qualified licensed electrician.
3. After making the wire connections, the wires should be spread apart with the grounded conductor and the equipment-grounding conductor on the one side of the outlet box and the ungrounded conductor on the other side of the outlet box.
4. The splices after being made should be turned upward and pushed carefully up into the outlet box.
5. Conductor of a fan identified as grounded conductor to be connected to grounded conductor of power supply, conductor of a fan identified as ungrounded conductor to be connected to an ungrounded conductor of power supply, conductor of fan identified for equipment grounding to be connected to an equipment-grounding conductor.
6. Fan should not be mounted in an area where it might get wet.
7. **WARNING:** To reduce the risk of fire, electric shock or personal injury, mount to outlet box marked "Acceptable for Fan Support" and use mounting screws provide with the outlet box. The outlet box and its support must be able to support the moving weight of the fan (at least 35lbs)
8. For safety and best operating results, we recommend that you have a qualified electrician assemble and install your fan.
9. **WARNING:** To reduce the risk of fire or electric shock, use this fan only with solid state speed control device provided.
10. Wall switch, model UC9787TB, the switch have been investigated and found acceptable for use as a fan speed control.
11. To reduce the risk of personal injury, do not bend the blade brackets when installing the brackets, balancing the blades or cleaning the fan. Do not insert foreign objects in between rotating fan blades.
12. Net Weight: The weight of the complete fan, including assembly hardware is 30.2 lbs.

Trouble Shooting

Problem A: Fan Will not Start

Remedies:

1. Check fuse or circuit breaker and replace if necessary
2. Turn off electrical power and check all wire connectors.
3. Check on/off TCS and wall control selector switch. See operation instructions.

Problem B: Fan is Excessively Noisy

Remedies:

1. Check that all screws in fan assembly are tight and properly seated.
2. Check to make sure mounting bracket is installed properly.
3. Check to make sure light kit and glass are installed properly and tight.
4. If wall control is used, insure the wall control is not a transformer or a variable speed type.

Problem C: Fan Wobbles

Remedies:

1. Check that all blades are screwed firmly into blade holders.
2. Check that all blade holders are screwed firmly into motor.
3. Check the weight of blades. All our blades are weighed on electronic scales. The weight is marked on the reverse side of the fan blade near the motor end. All of the blades should be the same weight to prevent fan from wobbling.
4. A balancing kit is enclosed if needed.

Before Assembly

1. Make sure that the fan voltage (120) is compatible with your own electrical system.
2. Check to make sure that your carton contains all the parts mentioned in the parts list.

NOTE: The box can be used as a work space to prevent any damage on the ornamental surface.

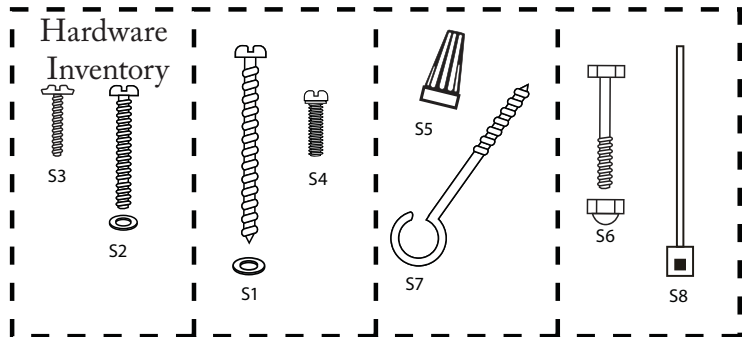
CAUTION: Before installing, choose a location for mounting the fan where the blades have at least 7 feet of clearance from all objects and floor. Mount an outlet box to the ceiling or use an existing box

CAUTION: Do not mount fan to sheet rock or drywall type materials. To insure proper support, use the two #1 wood screws to secure mounting bracket to joist or beam. If the location you choose does not have a suitable support beam, install a 2"x 4" brace between ceiling joists to support.

Screw Package

Quantity

S1. Wood Screws & Washers	2
S2. Bracket Screws & Washers	2
S3. Blade Screws & Rubber Washers	16
S4. Motor Screws	11
S5. Wire Connectors	3
S6. Safety Bolt & Nut	1
S7. "J" Hook	1
S8. Zip Tie	1

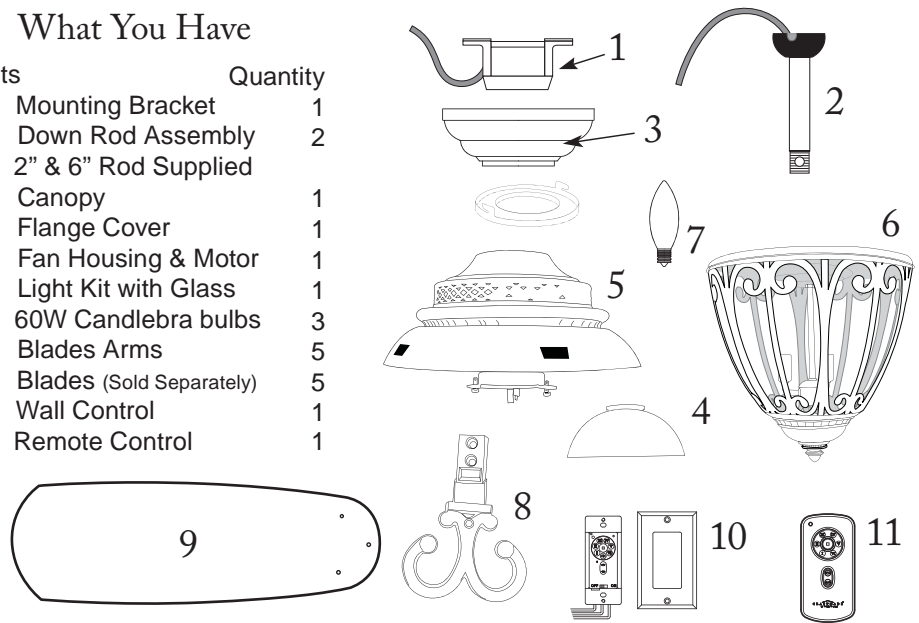


Tools you Need



What You Have

Parts	Quantity
1. Mounting Bracket	1
2. Down Rod Assembly 2" & 6" Rod Supplied	2
3. Canopy	1
4. Flange Cover	1
5. Fan Housing & Motor	1
6. Light Kit with Glass	1
7. 60W Candlebra bulbs	3
8. Blades Arms	5
9. Blades (Sold Separately)	5
10. Wall Control	1
11. Remote Control	1

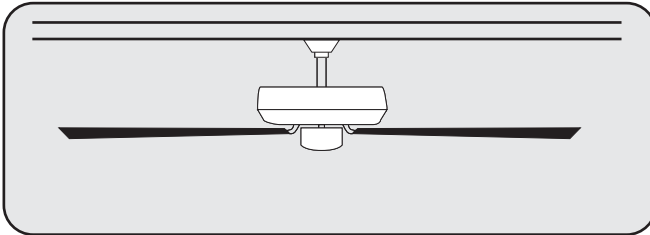


Turn off circuit breakers and wall switch to the fan supply line leads.

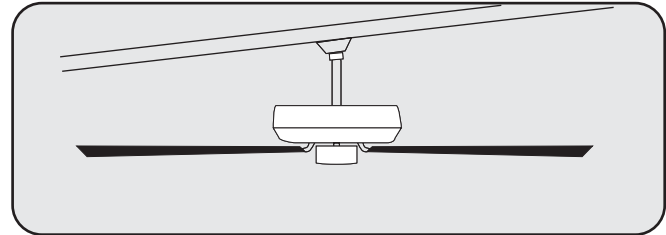


Preparation

Important: When using an existing outlet box, be sure the box is securely attached to the building structure and can support the full weight of the fan. Failure to do so can result in serious injury or death.

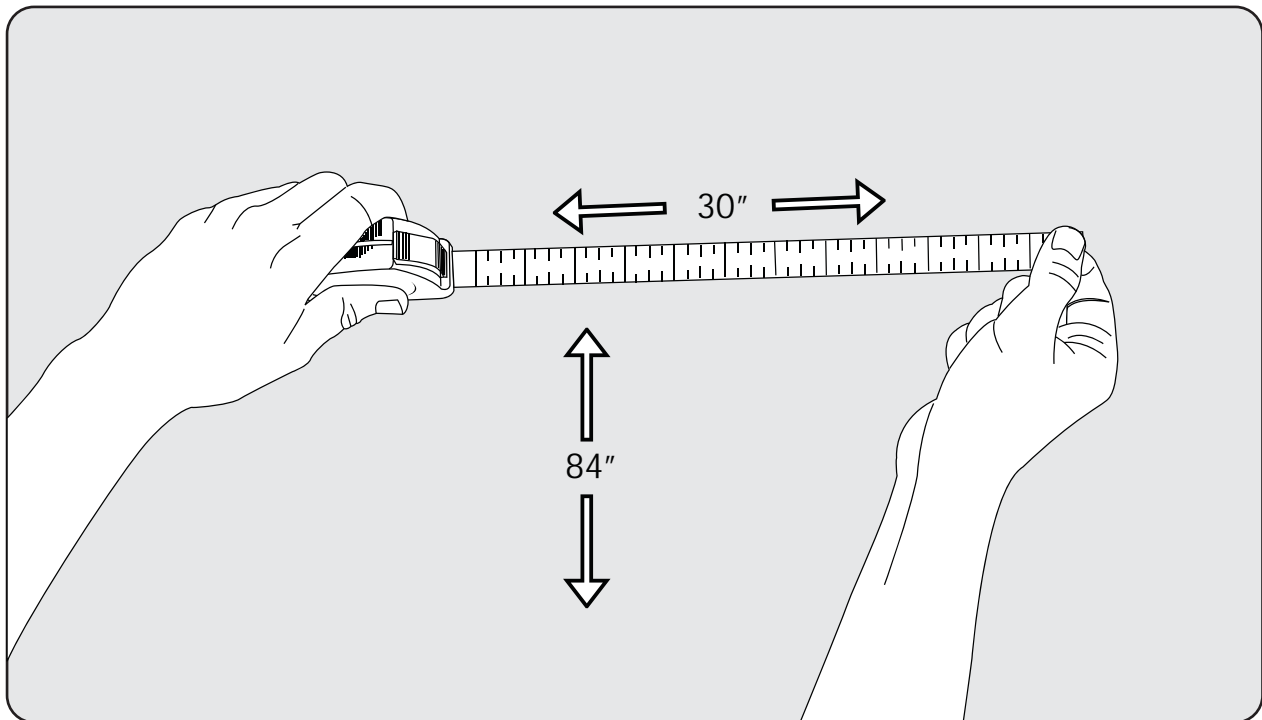


a.) Downrod Mount
(Normal Ceilings)



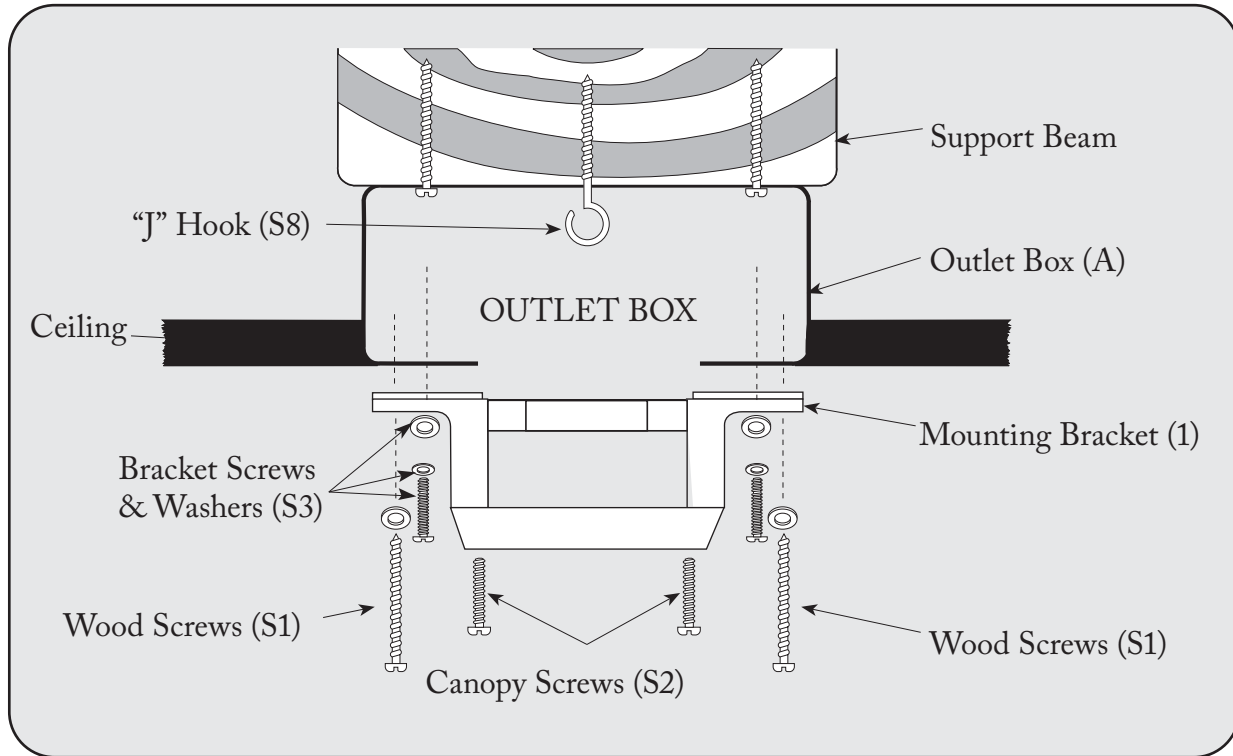
b.) Angle Mount
(Vaulted Ceilings)

IMPORTANT: If using the angle mount method, check to make sure the ceiling angle is not steeper than 30° . Angles greater than 30° will require a 45° angle adapter.

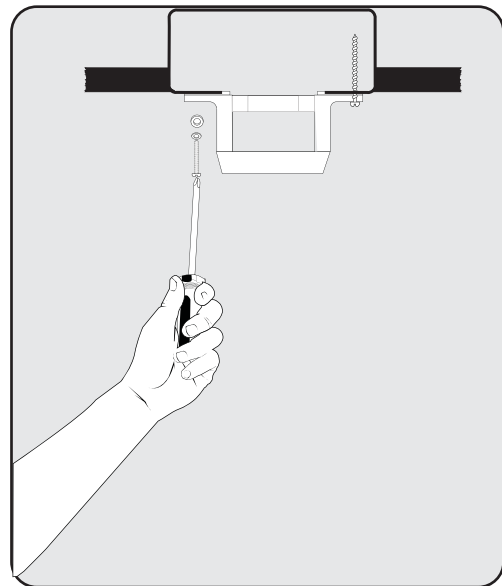
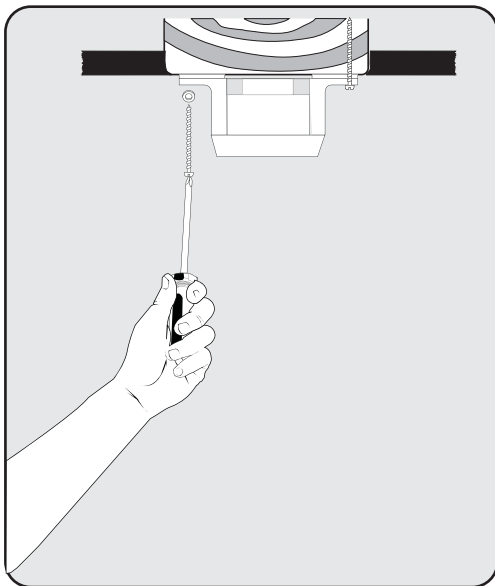


- Check to make sure blades are at least 30" from any obstruction.
- Check Down rod Length to make sure blades are at least 7' above the floor.

Installing Mounting Bracket



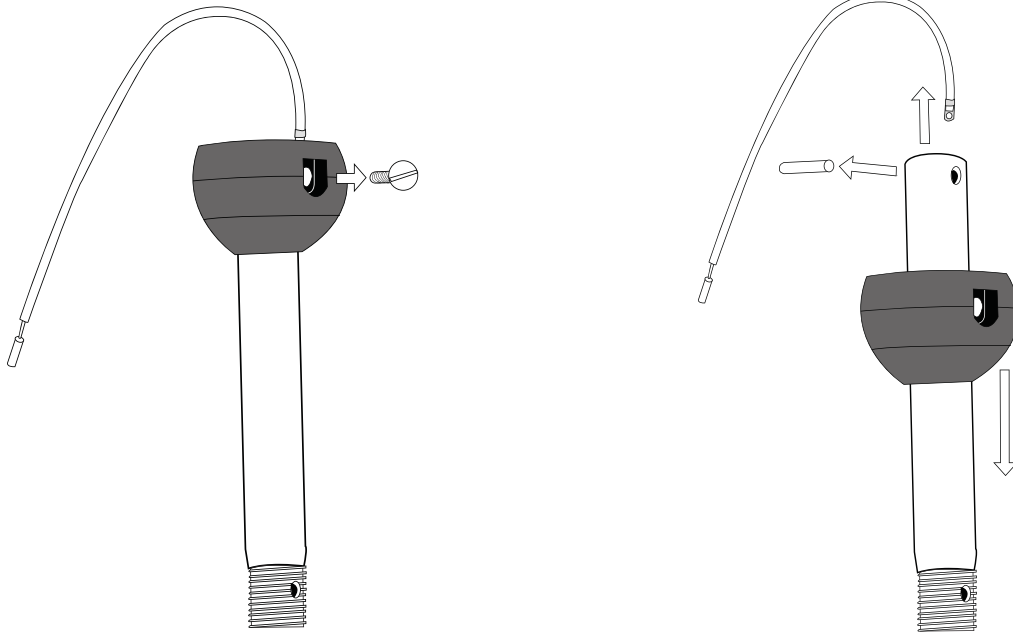
NOTE: Do not mount directly to sheet rock or ceiling tile.



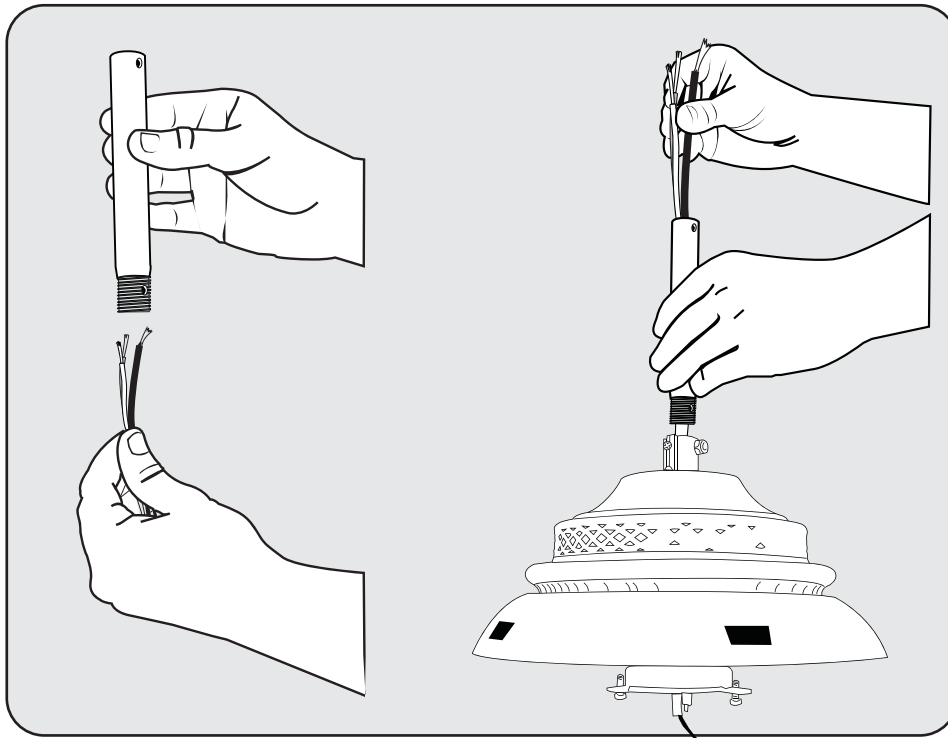
Prior to securing mounting bracket, screw "J" hook (S8) into ceiling outlet box as a secondary support means. Secure mounting bracket (#1) to the outlet box (A) by tightening bracket screws & washers (S3) as shown. If not mounting to an outlet box, use wood screws (S1) and washers (S3) and mount securely to ceiling beam. Be sure at this point to insert canopy screws (S2) in bracket.

5

Downrod Assembly

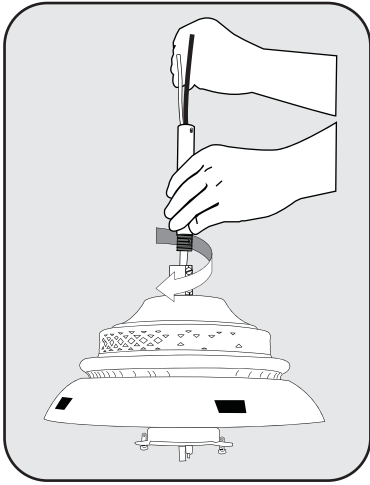


Locate downrod assembly (#2). Loosen ball screw on black hanging ball to free lock pin. Black hanging ball will slide down. Remove ground screw and green ground wire. Remove hanging ball from downrod and save all parts.

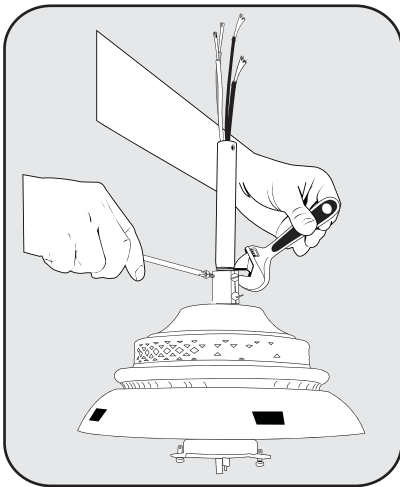


Insert fan wires through downrod.

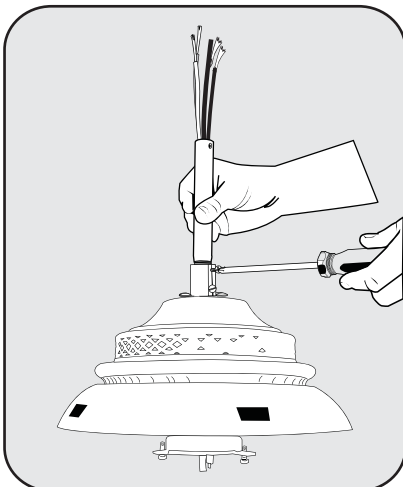
Attaching Downrod to Motor Housing



Thread the downrod onto the motor housing making sure the wires don't get twisted.

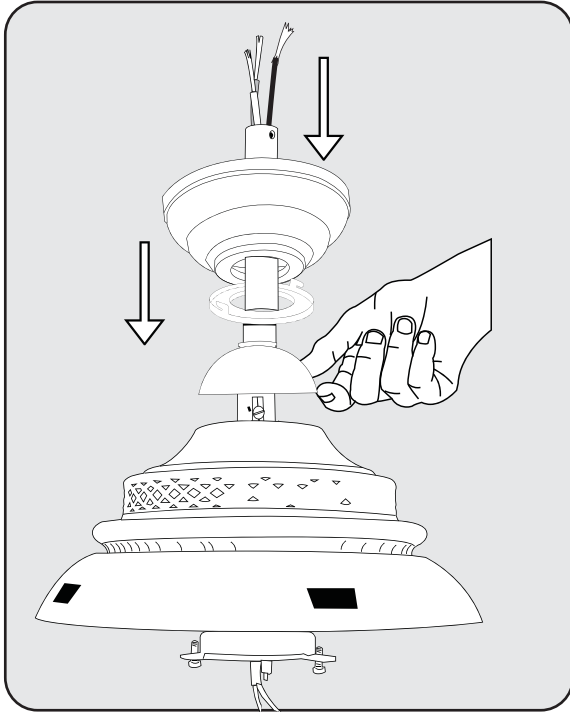


Insert safety bolt (S7) through flange & downrod and attach nut. Tighten firmly.



Tighten set screw (A) against downrod.

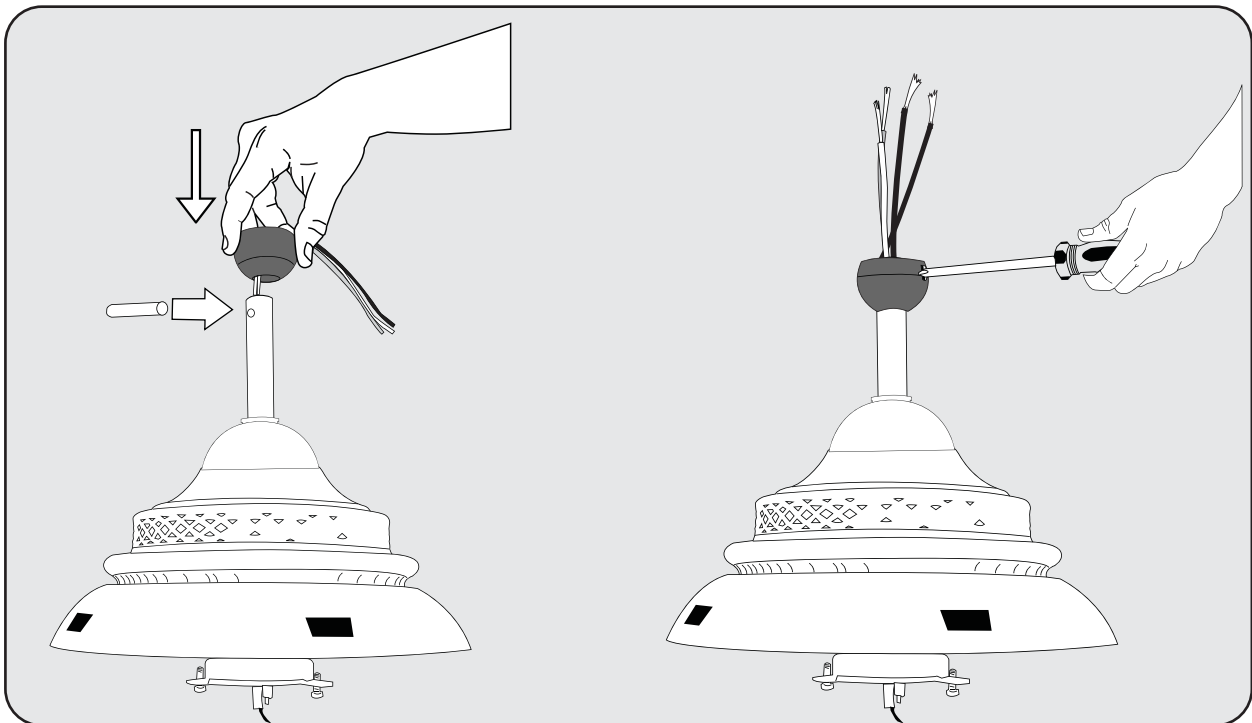
7



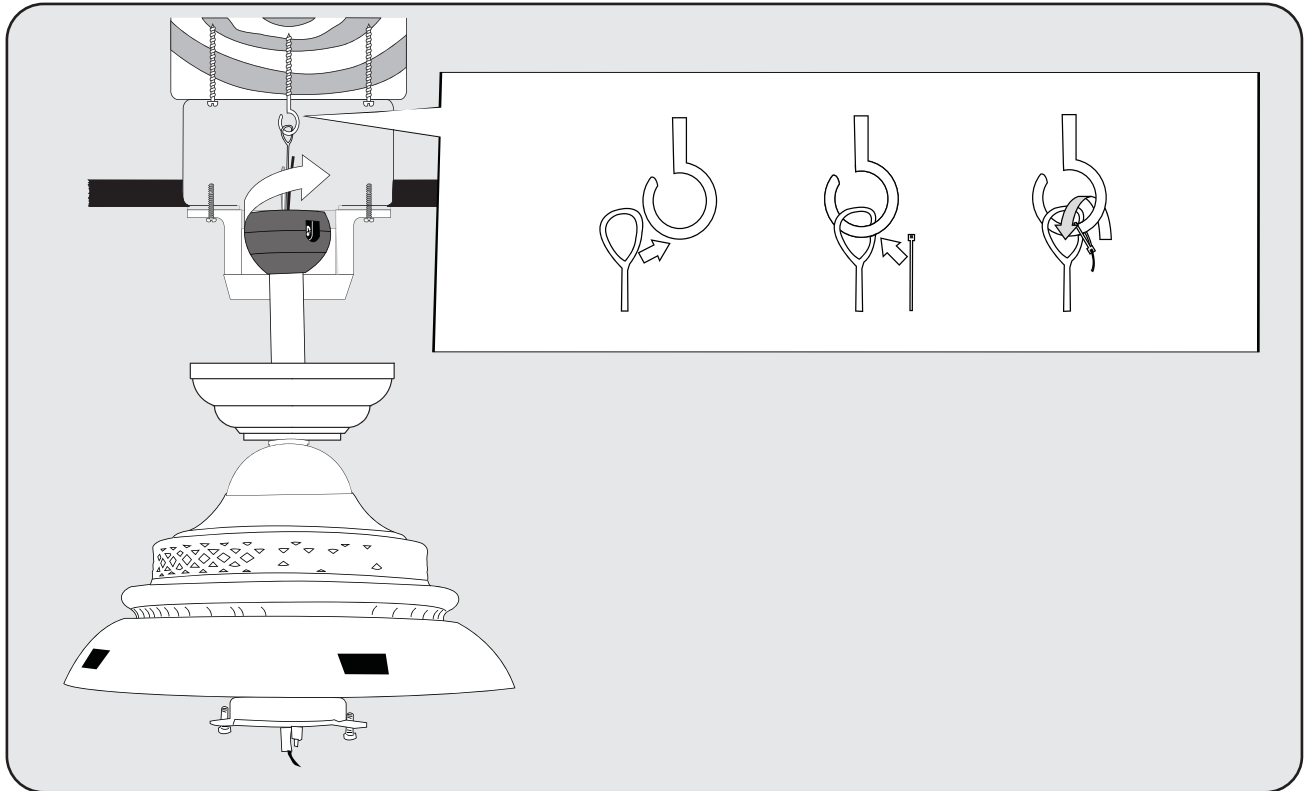
Place flange cover (4) over downrod assembly. Attach antenna wire to flange cover. Place canopy screw cover over downrod. Place canopy (3) over downrod (2).



WARNING: Failure to completely tighten downrod as described in steps above could result in the fan loosening and possibly falling.



Replace hanging ball, insert hanging pin through downrod and tighten set screw "C" in hanging ball into downrod.

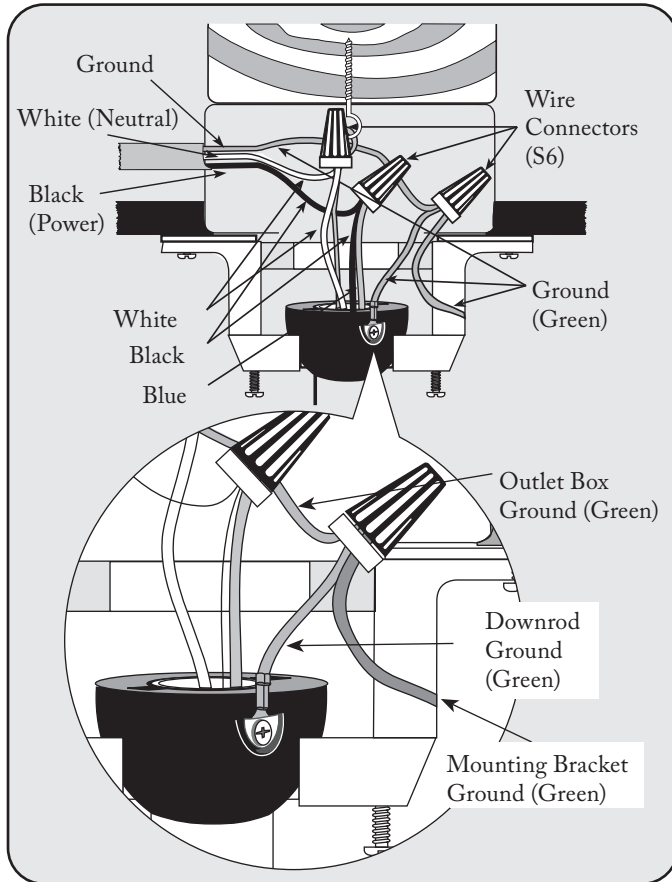


Lift fan onto the mounting bracket (#1). Turn housing until hanging ball seats itself into ball socket (listen for click).

For added security, attach safety cable from fan unit to "J" hook (S8) in outlet box. Secure by looping zip tie (S9) through safety cable and "J" hook. Tighten zip tie securely.

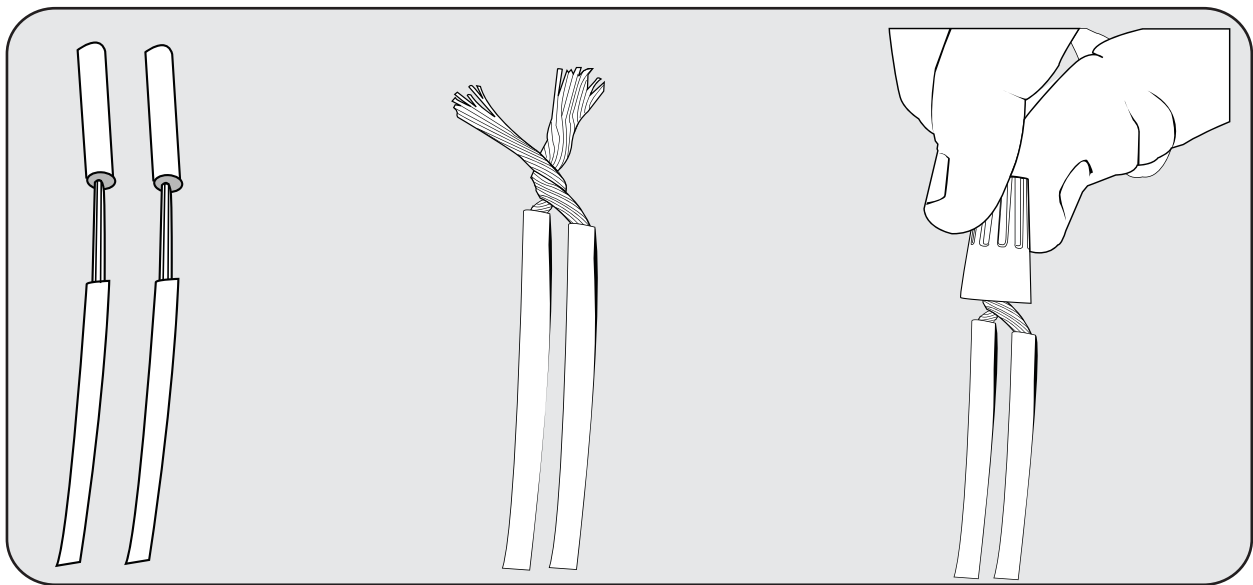


WARNING: To reduce the risk of fire, electric shock or personal injury, mount so outlet box marked "acceptable for fan support" and use mounting screws provided with the outlet box. Most outlet boxes commonly used for the support of lighting fixtures are not acceptable for fan support and may need to be replaced. Consult a qualified electrician if in doubt.

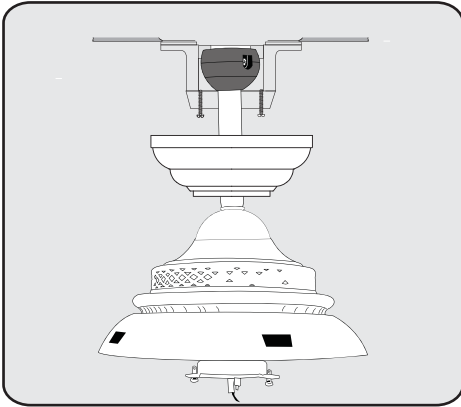


1. Connect fan wires to ceiling wires: white fan wire to white outlet wire, black to black and green to green. Wire connectors (S6) are provided for your convenience. If an additional blue wire is present then also connect the blue wire to the black wire. (Optional light kit may be wired to individual wall switches, if desired.)

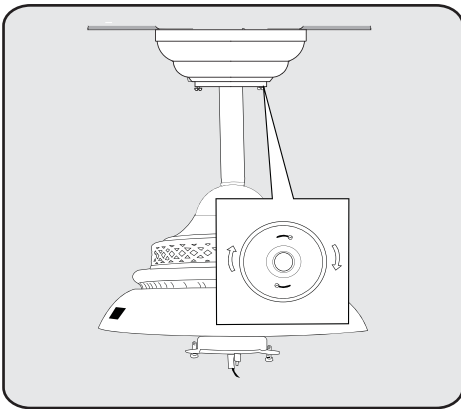
2. After connections are made with wire connectors, turn splices upward and push carefully into outlet box. Separate blue and black wires on one side of the box, and white and green wires on the other side.



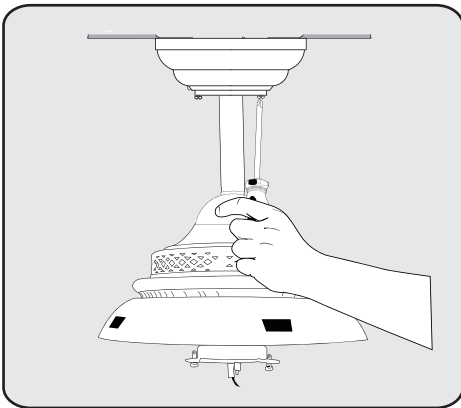
There are up to 4 colored wires coming from the top of the motor (including ground wire).



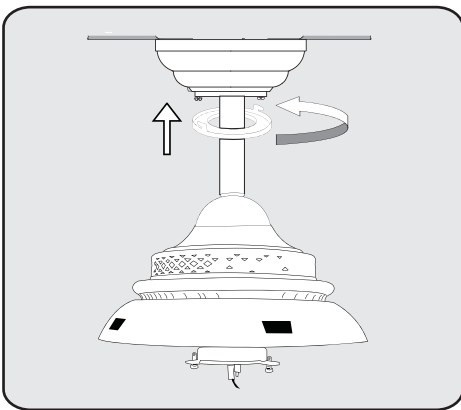
Attach canopy (3) to the mounting bracket by placing screws (S2) into slot in canopy.



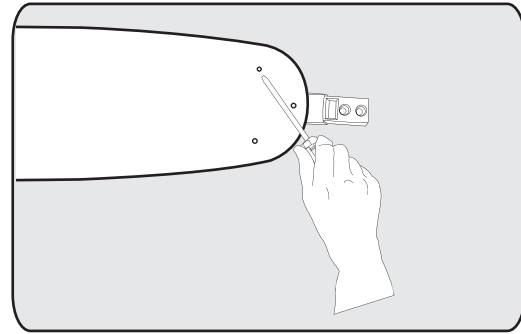
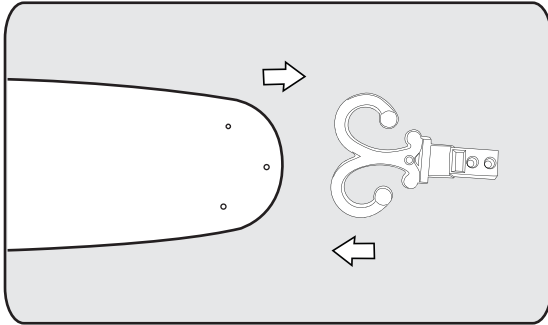
Twist clockwise to lock into place.



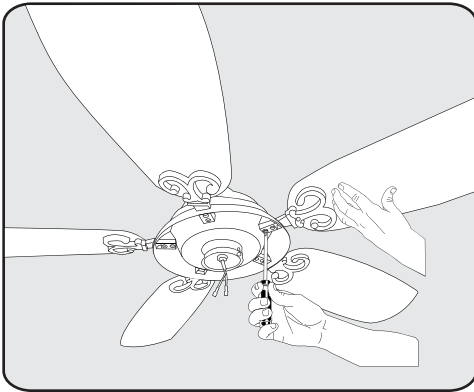
Tighten screws firmly.



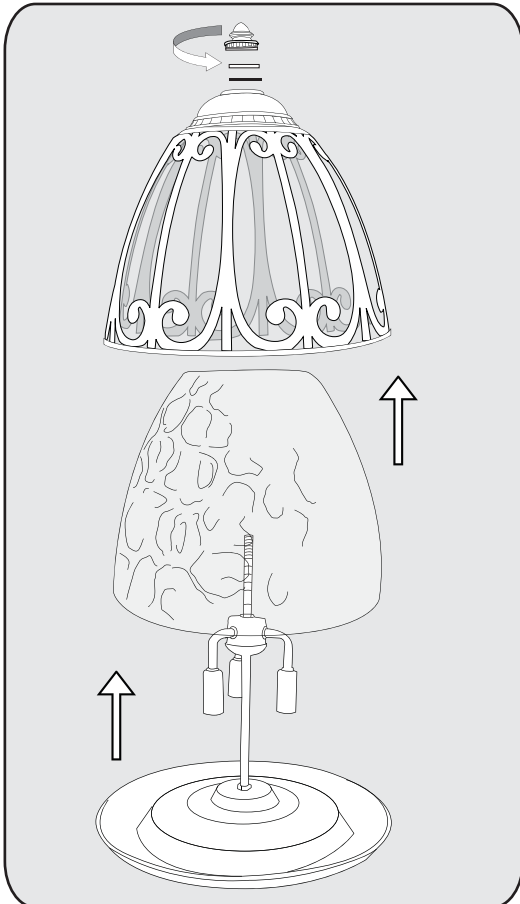
Seat the canopy screw cover into slots and twist to lock.



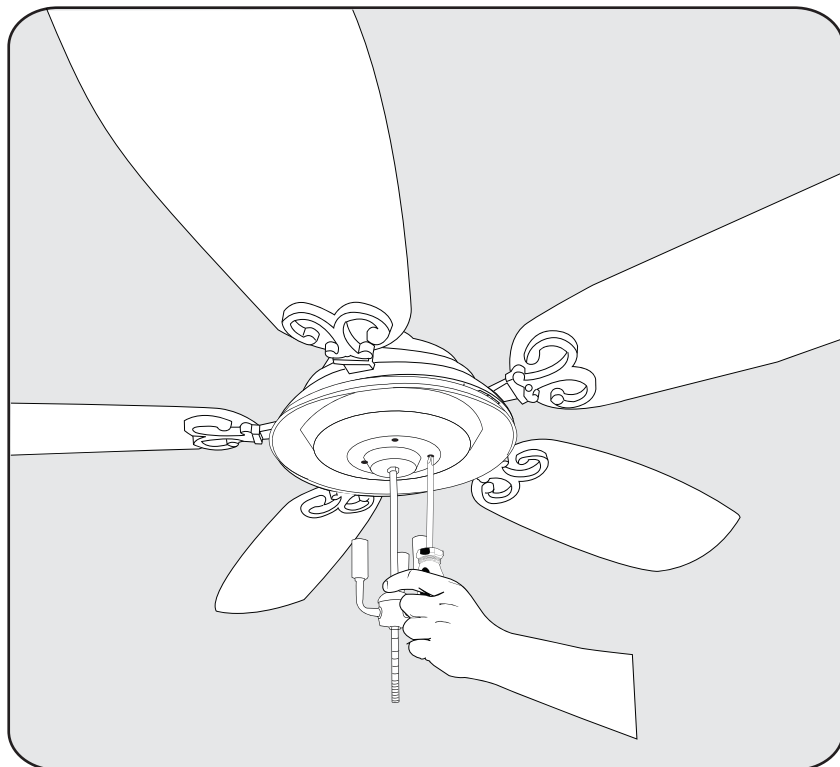
Assemble Blade Arms to Blades using the (S4) Blade Screws.



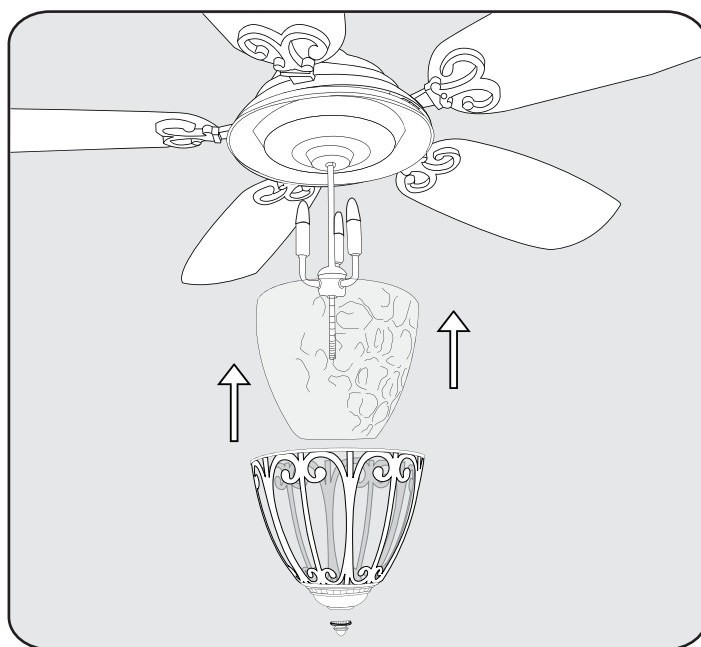
Slide the blades into place, support and attach with motor screws.



Disassemble the light kit. First, unscrew the decorative finial followed by the small hex nut. Remove rubber washer. Next carefully lift the light kit cage from the fitter base. Now carefully remove the light kit glass and set in a safe place until later.



Screw in candelabra light bulbs. (included)
Attach light kit fitter using the 3 screws (Supplied).



Reattach the light kit glass, light kit cage,
rubber washer, small hex nut and
decorative finial.

Remote Control Operation Instructions

ON/OFF	For emergency shut off.
HIGH MEDIUM LOW	Controls fan motor speed. To select desired speed, press button once and release.
REVERSE	Controls direction of fan blades. To reverse fan blades, press once and release.
FAN OFF	Turns fan motor speed off. Press once to turn off. To start motor speed again, hit one of the motor speed buttons.
L-1	Controls no function on this fan.
L-2	Controls the on/off and intensity for optional light kit. Push and release for on/off function. Hold down for full range light dimming.
NOTE:	The “High”, “Medium” or “Low” buttons may be used to start the fan motor. The speed of the fan may be changed at anytime.